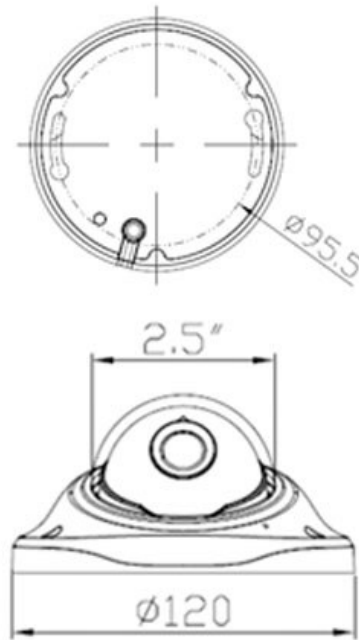


CP- ENC-V13L3

1.3MP HD IR Vandal Dome Camera - 30Mtr.



Main Features

- 1/3" 1.3MP CMOS Image Sensor
- Max 25fps@1.3MP
- H.264 Video Compression
- DWDR, Day/Night (ICR), AWB, AGC, BLC
- 3.6mm (6mm optional) Lens
- IR Range of 30 Mtrs
- Mobile Software: RMOB
- CMS Software: RVMS



*Product casing and specifications are subject to change without prior notice

CP- ENC-V13L3

1.3MP HD IR Vandal Dome Camera - 30Mtr.



Feature

Image Sensor
Minimum Illumination
White Balance
Gain Control (AGC)
Lens
Back Light Compensation
Video Compression
Video Streaming
Resolution
Frame Rate
WDR
Ethernet
IR
Smart Phone
Operating Temperature
Power Source
Dimension
Weight

Specification

1/3" 1.3MP CMOS Image Sensor
0.01Lux@F1.2(Color)/0.001Lux@F1.2(B/W)
Auto/Manual
Auto/Manual
3.6mm (6mm optional) Lens
Auto/Manual
H.264
Dual Stream
1.3M(1280x960) /720P(1280x720) / D1(704x576/704x480) /CIF(352x288/352x240)
1.3MP@25fps, Sub-Stream: D1
DWDR
RJ-45 (10/100Base-T)
IR Range of 30 Mtr.
iPhone, iPad, Android
-20°C~+65°C
DC12V±10%, PoE
120mm x 62mm
290g